

---

LPdoc  
A Documentation Generator  
for (C)LP Systems

---

Manuel Hermenegildo  
herme@fi.upm.es

*School of Computer Science  
Technical University of Madrid (UPM)*

*CL2000*

Imperial College, UK, July 28, 2000

(Work supported in part by Projects EDIPIA/ELLA/DiSCiPI)

## Introduction / Motivation

---

- Writing and, specially, maintaining program documentation is hard  
→ automate process as much as possible.
- Objectives:
  - ◇ Keep documentation close to source  
(easy to keep in sync with the program – “Literate Programming”).

## Introduction / Motivation

---

- Writing and, specially, maintaining program documentation is hard  
→ automate process as much as possible.
- Objectives:
  - ◇ Keep documentation close to source  
(easy to keep in sync with the program – “Literate Programming”).
  - ◇ Be able to *reuse* typical program documentation.

## Introduction / Motivation

---

- Writing and, specially, maintaining program documentation is hard  
→ automate process as much as possible.
- Objectives:
  - ◇ Keep documentation close to source  
(easy to keep in sync with the program – “Literate Programming”).
  - ◇ Be able to *reuse* typical program documentation.
  - ◇ Integrate closely with assertion language used in debugging/verification.

## Introduction / Motivation

---

- Writing and, specially, maintaining program documentation is hard  
→ automate process as much as possible.
- Objectives:
  - ◇ Keep documentation close to source  
(easy to keep in sync with the program – “Literate Programming”).
  - ◇ Be able to *reuse* typical program documentation.
  - ◇ Integrate closely with assertion language used in debugging/verification.
  - ◇ Produce useful documentation even if no comments or assertions in program.

## Introduction / Motivation

---

- Writing and, specially, maintaining program documentation is hard  
→ automate process as much as possible.
- Objectives:
  - ◇ Keep documentation close to source  
(easy to keep in sync with the program – “Literate Programming”).
  - ◇ Be able to *reuse* typical program documentation.
  - ◇ Integrate closely with assertion language used in debugging/verification.
  - ◇ Produce useful documentation even if no comments or assertions in program.
  - ◇ Integrate in program development environment (e.g., version control system).

## Introduction / Motivation

---

- Writing and, specially, maintaining program documentation is hard  
→ automate process as much as possible.
- Objectives:
  - ◇ Keep documentation close to source  
(easy to keep in sync with the program – “Literate Programming”).
  - ◇ Be able to *reuse* typical program documentation.
  - ◇ Integrate closely with assertion language used in debugging/verification.
  - ◇ Produce useful documentation even if no comments or assertions in program.
  - ◇ Integrate in program development environment (e.g., version control system).
  - ◇ Allow complex manuals (indices, images, citations from BiBTeX dbs, etc.).

## Introduction / Motivation

---

- Writing and, specially, maintaining program documentation is hard  
→ automate process as much as possible.
- Objectives:
  - ◇ Keep documentation close to source  
(easy to keep in sync with the program – “Literate Programming”).
  - ◇ Be able to *reuse* typical program documentation.
  - ◇ Integrate closely with assertion language used in debugging/verification.
  - ◇ Produce useful documentation even if no comments or assertions in program.
  - ◇ Integrate in program development environment (e.g., version control system).
  - ◇ Allow complex manuals (indices, images, citations from BiBTeX dbs, etc.).
  - ◇ Support many output formats.



## Introduction / Motivation

---

- Writing and, specially, maintaining program documentation is hard  
→ automate process as much as possible.
- Objectives:
  - ◇ Keep documentation close to source  
(easy to keep in sync with the program – “Literate Programming”).
  - ◇ Be able to *reuse* typical program documentation.
  - ◇ Integrate closely with assertion language used in debugging/verification.
  - ◇ Produce useful documentation even if no comments or assertions in program.
  - ◇ Integrate in program development environment (e.g., version control system).
  - ◇ Allow complex manuals (indices, images, citations from BiBTeX dbs, etc.).
  - ◇ Support many output formats.
  - ◇ Perform several related tasks (e.g., construction of distribution sites).

## Introduction / Motivation

---

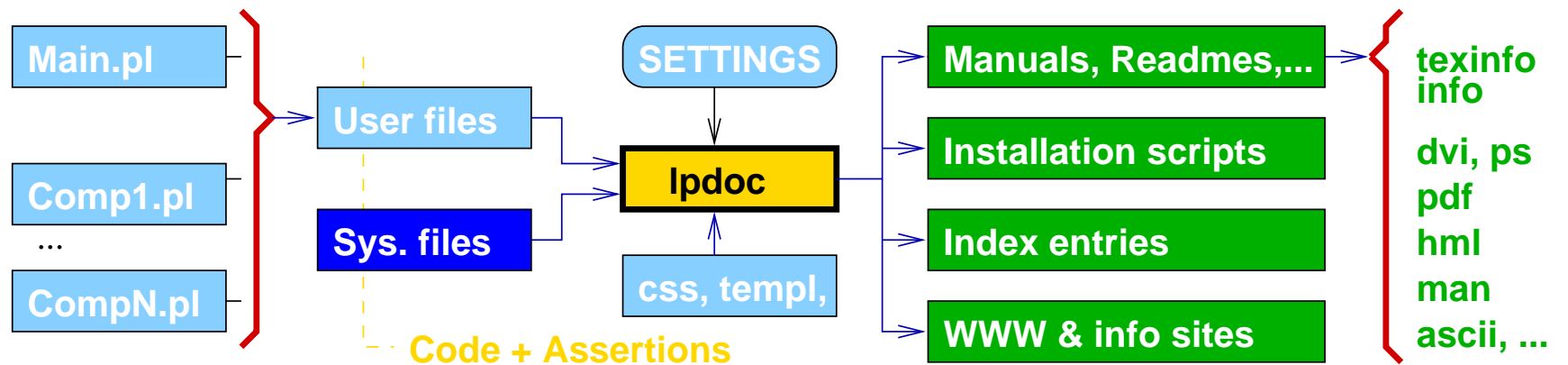
- Writing and, specially, maintaining program documentation is hard  
→ automate process as much as possible.
- Objectives:
  - ◇ Keep documentation close to source  
(easy to keep in sync with the program – “Literate Programming”).
  - ◇ Be able to *reuse* typical program documentation.
  - ◇ Integrate closely with assertion language used in debugging/verification.
  - ◇ Produce useful documentation even if no comments or assertions in program.
  - ◇ Integrate in program development environment (e.g., version control system).
  - ◇ Allow complex manuals (indices, images, citations from BiBTeX dbs, etc.).
  - ◇ Support many output formats.
  - ◇ Perform several related tasks (e.g., construction of distribution sites).
  - ◇ Allow text reuse in multiple places (e.g., manuals, readmes, distribution sites, lists of manuals and sw packages, announcements, installation scripts, ...)

## Introduction / Motivation

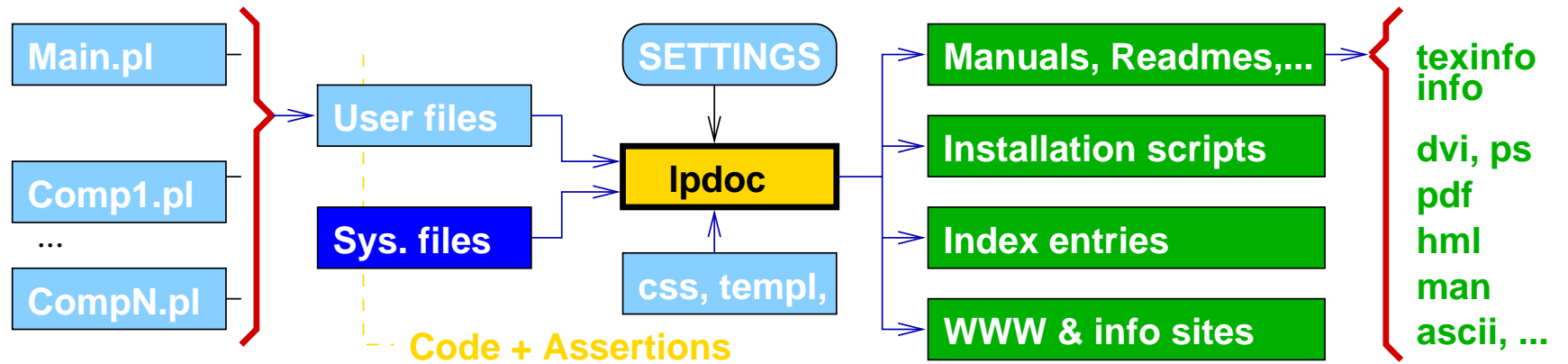
---

- Writing and, specially, maintaining program documentation is hard  
→ automate process as much as possible.
- Objectives:
  - ◇ Keep documentation close to source  
(easy to keep in sync with the program – “Literate Programming”).
  - ◇ Be able to *reuse* typical program documentation.
  - ◇ Integrate closely with assertion language used in debugging/verification.
  - ◇ Produce useful documentation even if no comments or assertions in program.
  - ◇ Integrate in program development environment (e.g., version control system).
  - ◇ Allow complex manuals (indices, images, citations from BiBTeX dbs, etc.).
  - ◇ Support many output formats.
  - ◇ Perform several related tasks (e.g., construction of distribution sites).
  - ◇ Allow text reuse in multiple places (e.g., manuals, readmes, distribution sites, lists of manuals and sw packages, announcements, installation scripts, ...)
  - ◇ Be largely (CLP) platform-independent and modular.

## Overall operation

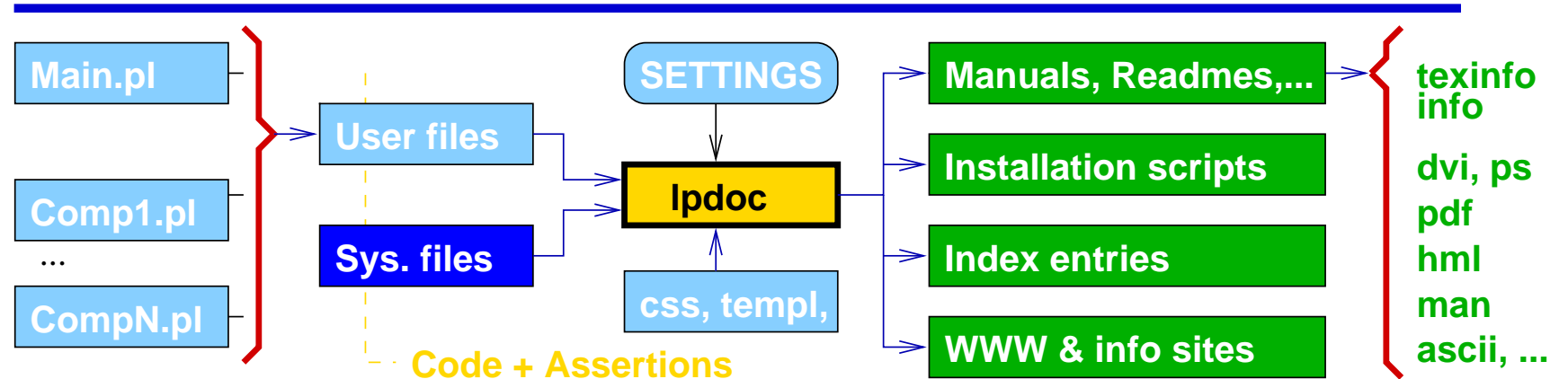


## Overall operation



- Can be done via menus from emacs interface.

## Overall operation



- Can be done via menus from emacs interface.
- Or manually:
  - ◇ Creating manual:
    - \* Edit SETTINGS file
    - \* `lpdoc format` (dvi, ps, html, ...)
  - ◇ Viewing manual: `lpdoc dviview`, `lpdoc htmlview`, ...
  - ◇ Installing manual: `lpdoc install`
  - ◇ + cleanup, etc.

## Inputs

---

- Basic types of input files:
  - ◇ Files to be documented (possibly including assertions and comments).
  - ◇ Used but not documented (library) files  
(e.g., system and user libraries: types, properties, reexports, etc.).
  - ◇ SETTINGS, template files, HTML style (css files), etc.

## Inputs

---

- Basic types of input files:
  - ◇ Files to be documented (possibly including assertions and comments).
  - ◇ Used but not documented (library) files  
(e.g., system and user libraries: types, properties, reexports, etc.).
  - ◇ SETTINGS, template files, HTML style (css files), etc.
  
- SETTINGS:
  - ◇ Determines main file and components.
  - ◇ Defines the paths to be used to find files  
(independent of the paths used by the LPdoc application itself).
  - ◇ Selects indices (predicates, ops, declarations, properties, types, libraries, concepts, authors, ...), options, etc.
  - ◇ Defines location of BiBTeX file(s), HTML styles, etc.
  - ◇ Defines document installation location, WWW site, etc.



## Assertions

---

- Assertions:
  - ◇ Written in the Ciao assertion language.
  - ◇ Declarations, used to:
    - \* state general properties, types, modes, exceptions, ...
    - \* of certain program points, predicate usages, ....
  - ◇ Includes standard compiler directives (`dynamic`, `meta_predicate`, etc.).
  - ◇ Have a certain qualifier: `check`, `true`, `trust`, ...
  - ◇ Can include documentation text strings.
- LPdoc understands assertions natively and uses them to generate the documentation.

## Assertions (Contd.)

---

- Examples – pred:

```
:- pred qsort(X,Y) : list(X) => sorted(Y)
    # "@var{Y} is a sorted permutation of @var{X}."
```

- Examples – prop, regtype:

```
:- prop sorted(X) # "@var{X} is sorted.".
sorted([]).
sorted([_]).
sorted([X,Y|R]) :- X < Y, sorted([Y|R]).
```

```
:- regtype list(X) # "@var{X} is a list.".
list([]).
list([_|T]) :- list(T).
```

## Comments

---

- Declarations, typically containing textual comments:  
:- comment(*CommentType*,*CommentData*).  
(also: :- doc(*CommentType*,*CommentData*).)
- Examples:  
:- comment(title,"Complex numbers library").  
:- comment(summary,"Provides an ADT for complex numbers.").  
:- comment(ctimes(X,Y,Z),"@var{Z} is @var{Y} times @var{X}.").
- Markup language, close to LaTeX/texinfo:
  - ◇ Syntax: @*command* (followed by either a space or {}), or @*command*{*body*}.
  - ◇ Command set kept small and somewhat generic, to be able to generate documentation in a variety of formats.
  - ◇ Names typically the same as in LaTeX.
  - ◇ Types of commands:
    - \* Indexing and referencing commands.
    - \* Formatting commands.
    - \* Inclusion commands, etc.

## Structure of generated documents

---

- Overall structure:
  - ◇ Single file → simple manual without chapters.
  - ◇ Multiple files:
    - \* Main file gives title, author(s), version, summary, intro, etc.
    - \* Other (“component”) files are chapters and appendices.
- Chapters:
  - ◇ If file does not define `main` → assumed *library*, *interface* (API) documented.  
else → assumed *application*, *usage* documented.
  - ◇ Structure:
    - \* Chapter title/subtitle (or file name if unavailable).
    - \* Info on authors, version, copyright, ...
    - \* Chapter intro.
    - \* Interface (usage, exports, reexports, decls, ops, modules used, ...).
    - \* Documentation for decls, preds, props, regtypes, multifiles, modedefs,...
    - \* Bugs, changelog, appendices, ...

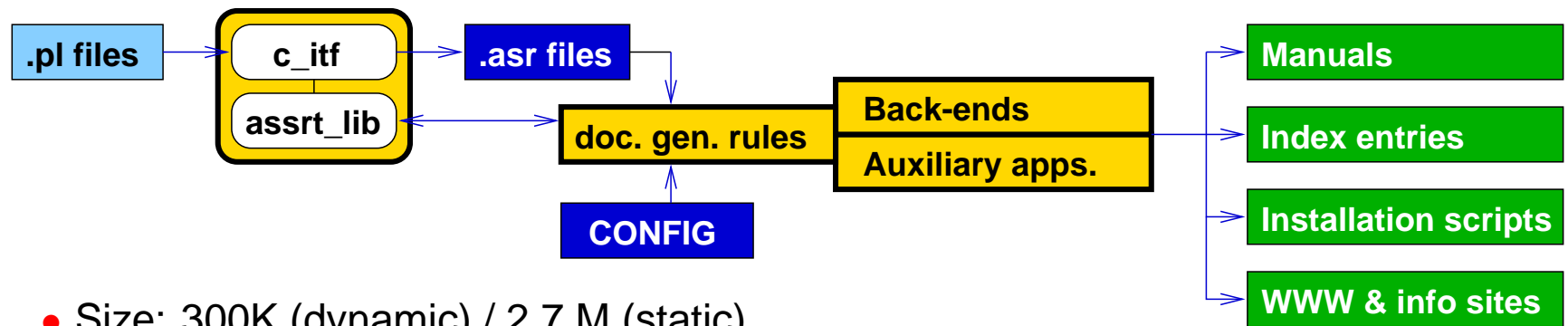
## Documentation of predicates, props, etc.

---

- If no declarations or comments:
  - ◇ One line stating predicate name and arity  
(useful: goes to index → automatic location, automatic completion).
  - ◇ If property or regtype: source code (often best description).
- Comments for the predicate/property/regtype...
- All assertions, described in textual form (unless stated otherwise).
- `pred` assertions documented as “usages”.
- Comments associated with `pred` assertions used to describe the usages.
- Syntactic sugar (e.g., modes) can be documented as is or expanded.
- The text in properties is *reflected* into the predicates which use such properties (also if property is imported from another module).

## Architecture and Implementation

- Standalone application (Ciao standalone executable).
- Uses the Ciao generic modular program processing library (see the paper on the Ciao module system):
  - ◇ We want to be fully modular and incremental.
  - ◇ To support syntax extensions (ops, expansions, ...) the task requires a full reader, precise module visibility, etc.
- System is indeed quite incremental (vital for, e.g., the Ciao manual).



- Size: 300K (dynamic) / 2.7 M (static).
- 11K lines Prolog + 12K lines from Ciao libraries + 1K misc (html/css, BiBTeX, ...).

## Comparison with other systems

---

- We are not aware of other systems with the capabilities of LPdoc.
- Some systems for pure “literate programming” in LP.
  - ◇ Quite useful, but almost all text must be written manually.
  - ◇ LPdoc goes much further and is much more automatic (“knows at least as much as the compiler”).
- Some automatic documenters with more limited capability (e.g., Icon, Perl, ...).
- Closest system is javadoc (developed in parallel with LPdoc):
  - ◇ Nicely formatted HTML manuals.
  - ◇ Also uses information typically available to the compiler.
  - ◇ Allows inclusion of textual comments in HTML format.

### Disadvantages:

- ◇ Assrt. lang., treatment of props, markup, output formats, etc. richer in LPdoc.
- ◇ Perhaps too tied to HTML.
- ◇ Cannot show source code, as LPdoc.
- ◇ (+ the obvious one: tied to Java).

## Conclusions

---

- In use at CLIP since late 1996 (and elsewhere) → some user experience.
- Very good for reference manuals in general. Also for “internals” manuals.
- Most satisfactory for libraries (highest quality documentation with least effort).
- Somewhat stilted for user’s manuals, but still useful.
- Much easier to maintain documentation up to date.
- With practice, one can with moderate effort write assertions and comments that:
  - ◇ document the program code,
  - ◇ produce a manual documenting the use of the code,
  - ◇ greatly improve the debugging and maintenance cycles (verification).

*Writing assertions/comments more likely if effort pays off in several ways!*

- All CLIP software manuals, web sites, etc. currently produced using LPdoc.
- Can be downloaded freely from <http://www.clip.dia.fi.upm.es/Software>.
- Can be adapted to other (C)LP systems and output formats.



## System Demo

---

- LPdoc
- The Ciao preprocessor – Ciaopp
  - ◇ No assertions or comments.
  - ◇ Add assertions, comments.
  - ◇ Generate dvi, view
  - ◇ Add citations.
  - ◇ Generate html, view; info, view
  - ◇ Add a figure. View in several formats.
  - ◇ Manual cleanup for distribution/installation.
  - ◇ Visit Ciao manual, show help on current symbol.
  - ◇ Visit WWW site, collection of manuals.
  - ◇ Style sheets.

**SYSTEM DEMO**